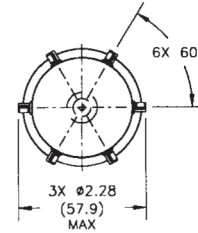
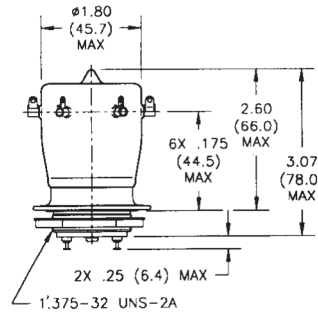
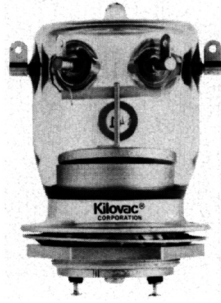
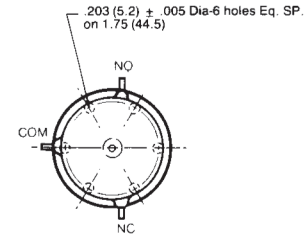
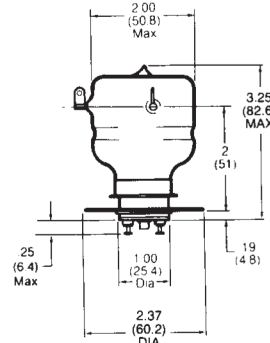


**H-19/17 Series Make & Break Load Switching — 20/25 kV Relays**
**H-19**
**Product Facts**

- 20 kV operating voltage
- Vacuum dielectric and tungsten contacts for power switching low current loads
- Double pole, double throw contacts
- Available with corona shield connectors
- Meets requirements of MIL-R-83725


**H-17**
**Product Facts**

- Will isolate 12 kV at 32 MHz
- Tungsten contacts suitable for power switching low current loads
- Available with corona shield connectors
- Meets requirements of MIL-R-83725
- QPL version available, M83725/2


**Product Specifications for H-19 and H-17**
**Contact Arrangement —**

H-19 — DPDT  
H-17 — SPDT

**Contact Form —**

H-19 — 2C  
H-17 — C

**Test Voltage, DC or 60 Hz (Peak) —**

H-19 — 25 kV  
H-17 — 30 kV

**Rated Operating Voltage (Peak) —**

DC or 60 Hz — H-19 — 20 kV  
H-17 — 25 kV

2.5 MHz — H-19 — 15 kV  
H-17 — 20 kV

16 MHz — H-19 — 10 kV  
H-17 — 15 kV

32 MHz — H-19 — 7 kV  
H-17 — 12 kV

**Continuous Carry Current, Max. —**

DC or 60 Hz — 30 A  
2.5 MHz — H-19 — 18 A  
H-17 — 16 A

16 MHz — H-19 — 9 A  
H-17 — 10 A  
32 MHz — H-19 — 6 A  
H-17 — 8 A  
Coil Hi-Pot (Vrms, 60 Hz) — 500 A

**Contact Capacitance —**  
Between Open Contacts — 1 pF  
Open Contacts to Ground — 2.5 pF

**Contact Resistance, Max. —**  
0.015 ohm

**Operate Time, Max. —**

H-19 — 30 ms  
H-17 — 25 ms

**Release Time, Max. —**

H-19 — 20 ms  
H-17 — 25 ms

**Shock, 11ms, 1/2 Sine (Peak) —**

H-19 — 30 g  
H-17 — 20 g

**Vibration —**

Peak — 10 g (55 to 500 Hz)

**Operating Ambient Temperature Range —** -55°C to +125°C

**Mechanical Life —** 1 million cycles

**Weight, Nominal —**

H-19 — 241 g (8.5 oz.)  
H-17 — 198.4 g (7 oz.)

For factory-direct application assistance, dial 800-253-4560, ext. 2055, or 805-220-2055.

**Coil Data**

Nominal Volts DC	12 Vdc	26.5 Vdc	115 Vdc
Pickup, Max.	8 Vdc	16 Vdc	80 Vdc
Dropout	.5-5 Vdc	1-10 Vdc	5-50 Vdc
Coil Resistance (±10%)			
H-19	48 Ω	225 Ω	2100 Ω
H-17	24 Ω	120 Ω	2900 Ω

Ratings listed are for 25°C, sea level conditions

**Ordering Information**

Sample Part Number ▶

Series: \_\_\_\_\_

Model: \_\_\_\_\_

H-19  
H-17

Coil Voltage: \_\_\_\_\_

Blank = 26.5 Vdc  
/12Vdc = 12 Vdc  
/115Vdc = 115 Vdc

H- 17 /12Vdc